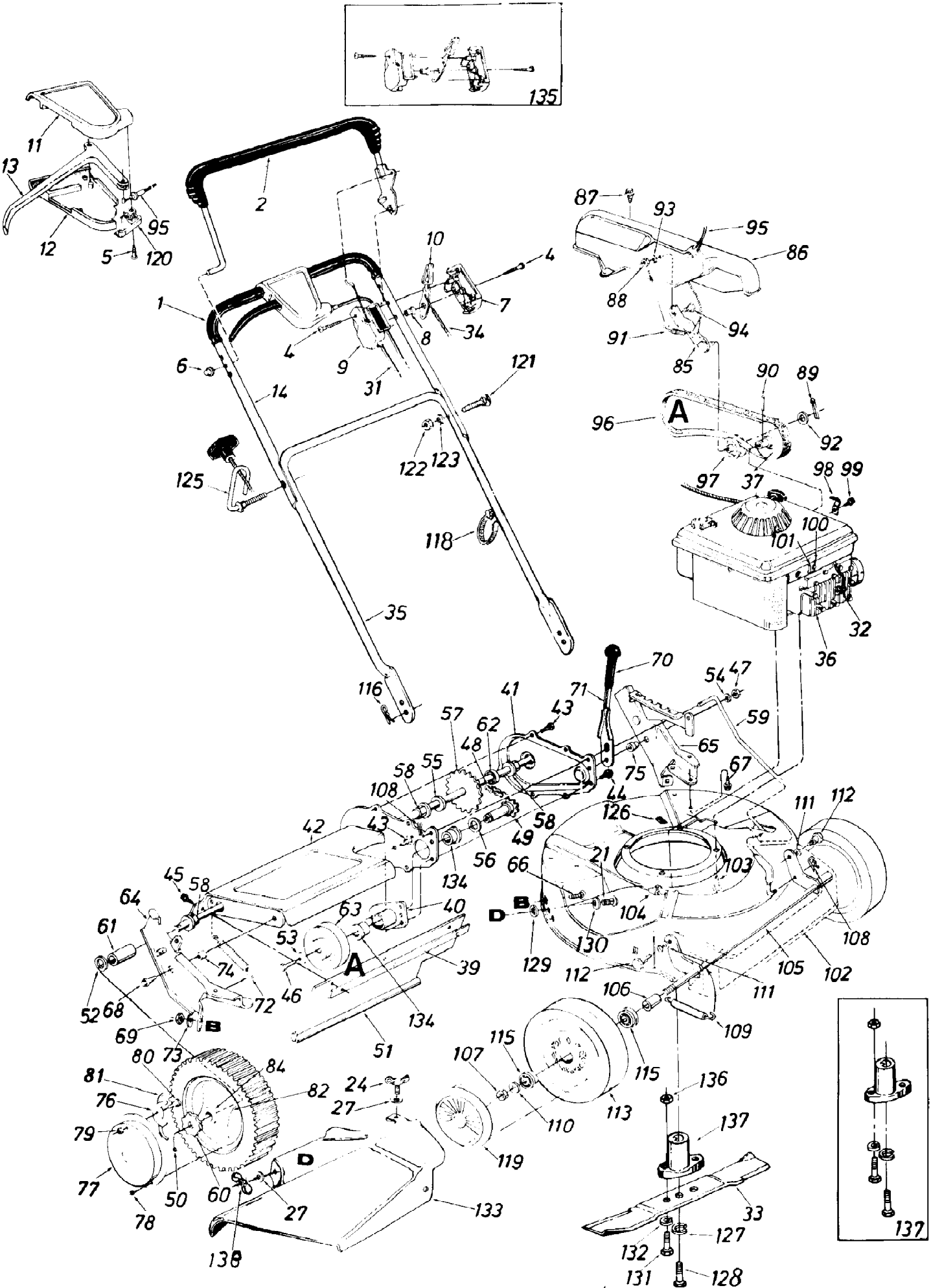


125-202-190 21" ERS Self Propelled (1985)  
21" Rotary Mower Assembly



125-202-190 21" ERS Self Propelled (1985)  
21" Rotary Mower Assembly

Page 2 of 4

| Ref # | Part Number | Qty | S/P/F | Description                               |
|-------|-------------|-----|-------|---|
| 1     | 718-0145    | 1   |       | Grip                                      |
| 2     | 731-0609    | 1   |       | Control Handle Ass'y. L.H.                |
| 4     | 710-0796    | 1   | /P    | Truss Mach. Scr. #12 x 1.50" Lg.          |
| 5     | 710-0841    | 1   | /P    | FI-"C"-Sunk Hd. Tap Scr. #10 x .75" Lg.   |
| 6     | 726-0135    | 1   | /P    | Cap Speed Nut .31 Dia.                    |
| 7     | 731-0523    | 1   |       | Control Panel Half                        |
| 8     | 731-0524    | 1   |       | Control Disc Pin                          |
| 9     | 731-0526    | 1   |       | Clutch Panel Half                         |
| 10    | 731-0528    | 1   | S     | Throttle Control Lever                    |
| 11    | 731-0617    | 1   | S     | Self-Propelled Control Cover              |
| 12    | 731-0618    | 1   | S     | Self-Propelled Control Cover              |
| 13    | 731-0620    | 1   | S     | Control Lever                             |
| 14    | 749-0437    | 1   |       | Upper Handle Chrome                       |
| 21    | 710-0134    | 1   | /P    | Carriage Bolt 1/4-20 x .62" Lg.*          |
| 24    | 710-0934    | 1   |       | Wing Bolt 1/4-20 x .62" Lg.               |
|       | 712-0287    | 1   | S     | Hex Nut 1/4-20 Thd.*                      |
| 27    | 736-0463    | 1   | S     | FI-Wash. .280" I.D. x .620" O.D.          |
|       | 736-0329    | 1   | S     | L-Wash. 1/4" I.D.*                        |
| 31    | 746-0477    | 1   | S     | Control Cable 43" Lg.                     |
| 32    | 735-0639    | 1   | /P    | Spark Plug Insulator                      |
| 33    | 742-0289    | 1   |       | 21" Blade                                 |
| 34    | 746-0472    | 1   | S     | Throttle Control Wire 58.0" Lg.           |
| 35    | 749-0505    | 1   | S     | Lower Handle Chrome                       |
| 36    |             | 1   |       | Engine                                    |
| 37    | 756-0460    | 1   |       | Engine Pulley 1/2"                        |
| 39    | 14835       | 1   |       | Retaining Strip                           |
| 40    | 16118       | 1   |       | Bearing Hub Flange Ass'y.                 |
| 41    | 16119       | 1   |       | Chain Cover                               |
| 42    | 16121       | 1   |       | Chain Axle Ass'y.                         |
| 43    | 710-0352    | 1   | /P    | Hex B-Tap Scr. 1/4" x .38" Lg.            |
| 44    | 710-0599    | 1   | /P    | Hex Wash. S-Tap Scr. 1/4-20 x .50" Lg.    |
| 45    | 710-0776    | 1   | S     | Hex AB-Tap Scr. 1/4 x .62" Lg.            |
| 46    | 710-0875    | 1   |       | Hex Wash. TT-Tap Scr. 1/4-20              |
| 47    | 712-0296    | 1   | S     | Hex Patch L-Nut 3/8-24 Thd.               |
| 48    | 713-0353    | 1   | S     | #48 Chain .500" Pitch x .30 Links         |
| 49    | 713-0355    | 1   |       | Sprocket Shaft Ass'y.                     |
| 50    | 714-0115    | 1   | S     | Cotter Pin 1/8" Dia. x 1.00" Lg.*         |
| 51    | 731-0672    | 1   | S     | Rear Flap 3.75" x 17.30" Lg.              |
| 52    | 736-0160    | 1   | S     | FI-Wash. .531" I.D. x .930" O.D.          |
| 53    | 736-0270    | 1   | /P    | Bell-Wash. .265" I.D. x .75" O.D.         |
| 54    | 736-0300    | 1   | S     | FI-Wash. .385" I.D. x .87" O.D.           |
| 55    | 736-0326    | 1   | S     | FI-Wash. .510" I.D. x 1.0" O.D.           |
| 56    | 736-0254    | 1   | S     | FI-Wash. .62" I.D. x 1.12" O.D.           |
| 57    | 738-0614    | 1   |       | Rear Shaft Ass'y. 22.05" Lg.              |
| 58    | 741-0324    | 1   | S     | Hex Flange Bearing .506" I.D. Plastic     |
| 59    | 747-0510    | 1   |       | Height Adj. Rod 1.50" x 19.42" Lg.        |
| 60    | 748-0187    | 1   |       | Ratchet Wheel 1.62" O.D.                  |
| 61    | 748-0191    | 1   | S     | Spacer.51" I.D. x .69" O.D. x .690" Lg.   |
| 62    | 748-0301    | 1   |       | Spacer.510" I.D. x 1.00" O.D. x .210" Lg. |
| 63    | 756-0459    | 1   |       | 1/2" "V"-Pulley                           |
| 64    | 16136       | 1   | S     | R.H. Handle Wheel Brkt. Ass'y.            |
| 65    | 16137       | 1   | S     | L.H. Handle Wheel Brkt. Ass'y.            |
| 66    | 710-0260    | 1   |       | Spacer.51" I.D. x .69" O.D. x .690" Lg.*  |

125-202-190 21" ERS Self Propelled (1985)  
21" Rotary Mower Assembly

Page 3 of 4

| Ref # | Part Number | Qty | S/P/F | Description                                |
|-------|-------------|-----|-------|--|
| 67    | 710-0603    | 1   | /P    | Hex Wash. Hd. B-Tap Scr. 5/16-18           |
| 68    | 710-0654    | 1   | S     | Hex Wash. Hd. TT-Tap Scr. 3/8-16           |
| 69    | 712-0267    | 1   | S     | Hex Nut 5/16-18 Thd.*                      |
| 70    | 720-0143    | 1   |       | Grip                                       |
| 71    | 732-0473    | 1   | S     | Height Adj. Lever 1.25 x 8.5" Lg.          |
| 72    | 732-0481    | 1   | S     | Extension Spring .50" O.D. x 3.80" Lg.     |
| 73    | 736-0242    | 1   | /P    | Bell-Wash. .345" I.D. x .88" O.D.          |
| 74    | 750-0526    | 1   |       | Spacer.385" I.D. x .502" O.D. x .270" Lg.  |
| 75    | 750-0624    | 1   |       | Shld. Spacer.500" Dia. x .100              |
| 76    | 10622       | 1   | S     | Spring Nylon                               |
| 77    | 10647       | 1   | /P    | Hub Cap                                    |
| 78    | 710-0748    | 1   | /P    | Pan Hd. Tap Scr. #12 x .50" Lg.            |
| 79    | 712-0324    | 1   | /P    | Hex Ins. L-Nut 1/4-20 Thd.                 |
| 80    | 738-0137    | 1   |       | Shld. Scr. .342" Dia. x .268               |
| 81    | 748-0188    | 1   | S     | Pawl                                       |
| 82    | 734-1026    | 1   | S     | Wheel Ass'y. Comp. Rear 8 x 1.75           |
| 84    | 741-0180    | 1   | S     | Flange Ball Bearing 1/2" I.D.              |
| 85    | 16134       | 1   |       | Belt Idler Bracket Ass'y.                  |
| 86    | 16146       | 1   |       | Belt Cover                                 |
| 87    | 710-0599    | 1   | /P    | Hex Wash. S-Tap Scr. 1/4-20 x .50" Lg.     |
| 88    | 712-0287    | 1   | S     | Hex Nut 1/4-20 Thd.*                       |
| 89    | 714-0115    | 1   | S     | Cotter Pin 1/8" Dia. x 1.00" Lg.*          |
| 90    | 715-0247    | 1   | S     | Spring Pin Spir. 3/16" Dia. x 1.00" Lg.    |
| 91    | 732-0357    | 1   | S     | Extension Spring .33" O.D.-x 1.12" Lg.     |
| 92    | 736-0160    | 1   | S     | FI-Wash. .531" I.D. x .930" O.D. x .050    |
| 93    | 736-0329    | 1   | S     | L-Wash. 1/4" I.D.*                         |
| 94    | 738-0255    | 1   | S     | Shld. Bolt .375" Dia. x .181               |
| 95    | 746-0466    | 1   | S     | S.P. Cable x 53.0" Lg.                     |
| 96    | 754-0104    | 1   |       | "V"-Belt 1/2" x 32.0" La.                  |
| 97    | 756-0360    | 1   |       | FI-idler Plastic 1.62" Dia.                |
| 98    | 12894       | 1   |       | Throttle Control Cable Clip                |
| 99    | 710-0429    | 1   | S     | Hex B-Tap Scr. #10 x .38" Lg.              |
| 100   | 710-0899    | 1   | S     | Hex Sems Bolt #10-32 x .62" Lg.            |
| 101   | 751-0333    | 1   |       | Casing Clamp                               |
| 102   | 16126       | 1   |       | Top Discharge Deck Ass'y.                  |
| 103   | 710-0654    | 1   | S     | Hex Wash Hd. TT-Tap Scr. 3/8-16            |
| 104   | 712-0185    | 1   |       | Speed Nut 1/4-20 U-Type                    |
| 105   | 10662       | 1   |       | Front Axle Ass'y.                          |
| 106   | 711-0313    | 1   | S     | Sleeve .526" I.D. x .690" O.D. x .880" Lg. |
| 107   | 712-0200    | 1   | S     | Hex L-Nut 1/2-20 Thd.                      |
| 108   | 714-0104    | 1   | S     | Intern. Cotter Pin 5/16" Dia.              |
| 109   | 732-0482    | 1   |       | Extension Spring .50" O.D. x 3.20" Lg.     |
| 110   | 736-0160    | 1   | S     | FI-Wash. .531" I.D. x .930" O.D.           |
| 111   | 736-0221    | 1   | /P    | Intern. L-Wash. 3/8 x .56" O.D.            |
| 112   | 738-0615    | 1   |       | Shld. Bolt .623" Dia. x .425               |
| 113   | 734-1267    | 1   |       | Front-Wheel Ass'y. Comp 7 x 1.75 0         |
| 115   | 741-0180    | 1   | S     | Flange Ball Bearing 1/2" I.D.              |
| 116   | 714-0104    | 1   | S     | Intern. Cotter Pin 5/16" Dia.              |
| 118   | 726-0192    | 1   |       | Cable Tie Triple Loop .875 Dia.            |
| 119   | 731-0124    | 1   |       | Hub Cap Plastic                            |
| 120   | 731-0619    | 1   |       | S.P. Control Cover                         |
| 121   | 710-0671    | 1   | S     | Curved Carr. Bolt 5/16-18 x 1.38" Lg.      |
| 122   | 712-0267    | 1   |       | Hex Nut 5/16-18 Thd.*                      |

125-202-190 21" ERS Self Propelled (1985)  
21" Rotary Mower Assembly

Page 4 of 4

| Ref # | Part Number | Qty | S/P/F | Description                            |
|-------|-------------|-----|-------|--|
| 123   | 736-0119    | 1   | S     | L-Wash. 5/16" I.D.*                    |
| 125   | 710-0842    | 1   |       | Rope Guide Bolt                        |
| 126   | 731-0564    | 1   |       | Plug                                   |
| 127   | 736-0217    | 1   | S     | L-Wash. 3/8" I.D. H.D.                 |
| 128   | 710-0331    | 1   | /P    | Hex Bolt 3/8-24 x 2.25" Lg. (Grade 5)  |
| 129   | 726-0233    | 1   | /P    | Bolt Retainer 1/4 x .50" O.D.          |
| 130   | 736-0204    | 1   | /P    | FI-Wash. .344" I.D. x .62" O.D.        |
| 131   | 710-0888    | 1   | /P    | Hex Bolt 5/16-24 x 1.00" Lg. (Grade 5) |
| 132   | 736-0119    | 1   | S     | L-Wash. 5/16" I.D.*                    |
| 133   | 16148       | 1   |       | Side Chute Deflector                   |
| 134   | 748-0249    | 1   |       | Flange Bushing                         |
| 135   | 753-0360    | 1   |       | Kit Control Housing Comp.              |
| 136   | 712-0123    | 1   | /P    | Hex Nut 5/16-24 Thd.*                  |
| 137   | 753-0348    | 1   |       | Blade Adapter Kit                      |
|       | 8202-190-5  | 1   |       | Hardware Pack                          |
| 138   | 712-0109    | 1   |       | Wing Nut                               |